

TLV571
2.7 V TO 5.5 V, 1-CHANNEL, 8-BIT,
PARALLEL ANALOG-TO-DIGITAL CONVERTER

SLAS239A – SEPTEMBER 1999 – REVISED FEBRUARY 2000

features

- **Fast Throughput Rate: 1.25 MSPS at 5 V, 625 KSPS at 3 V**
- **Wide Analog Input: 0 V to AV_{DD}**
- **Differential Nonlinearity Error: $\lt; \pm 0.5 \text{ LSB}$**
- **Integral Nonlinearity Error: $\lt; \pm 0.5 \text{ LSB}$**
- **Single 2.7-V to 5.5-V Supply Operation**
- **Low Power: 12 mW at 3 V and 35 mW at 5 V**
- **Auto Power Down of 1 mA Max**
- **Software Power Down: 10 μ A Max**
- **Internal OSC**
- **Hardware Configurable**
- **DSP and Microcontroller Compatible Parallel Interface**
- **Binary/Twos Complement Output**
- **Hardware Controlled Extended Sampling**
- **Hardware or Software Start of Conversion**

applications

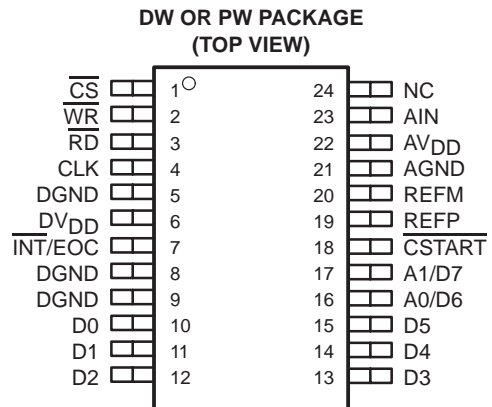
- **Mass Storage and HDD**
- **Automotive**
- **Digital Servos**
- **Process Control**
- **General-Purpose DSP**
- **Image Sensor Processing**

description

The TLV571 is an 8-bit data acquisition system that combines a high-speed 8-bit ADC and a parallel interface. The device contains two on-chip control registers allowing control of software conversion start and power down via the bidirectional parallel port. The control registers can be set to a default mode using a dummy $\overline{\text{RD}}$ while $\overline{\text{WR}}$ is tied low allowing the registers to be hardware configurable.

The TLV571 operates from a single 2.7-V to 5.5-V power supply. It accepts an analog input range from 0 V to AV_{DD} and digitizes the input at a maximum 1.25 MSPS throughput rate at 5 V. The power dissipations are only 12 mW with a 3-V supply or 35 mW with a 5-V supply. The device features an auto power-down mode that automatically powers down to 1 mA 50 ns after conversion is performed. In software power-down mode, the ADC is further powered down to only 10 μ A.

Very high throughput rate, simple parallel interface, and low power consumption make the TLV571 an ideal choice for high-speed digital signal processing.



NC – No internal connection

AVAILABLE OPTIONS

| T _A | PACKAGE | |
|----------------|---------------|--------------|
| | 24 TSSOP (PW) | 24 SOIC (DW) |
| -40°C to 85°C | TLV571IPW | TLV571IDW |



Please be aware that an important notice concerning availability, standard warranty, and use in critical applications of Texas Instruments semiconductor products and disclaimers thereto appears at the end of this data sheet.

PRODUCTION DATA information is current as of publication date. Products conform to specifications per the terms of Texas Instruments standard warranty. Production processing does not necessarily include testing of all parameters.



POST OFFICE BOX 655303 • DALLAS, TEXAS 75265

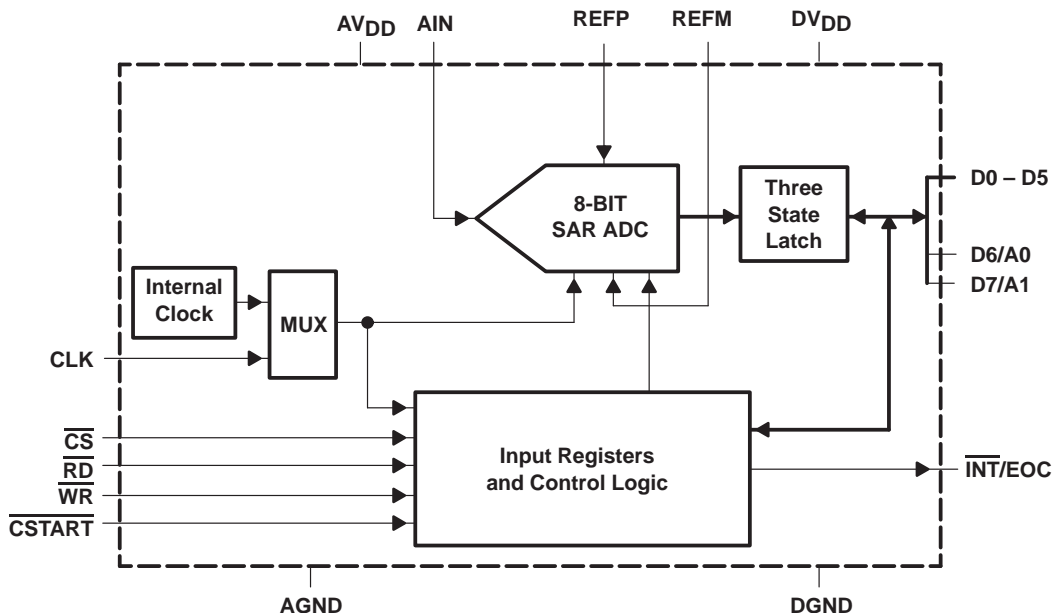
Copyright © 2000, Texas Instruments Incorporated

TLV571

2.7 V TO 5.5 V, 1-CHANNEL, 8-BIT, PARALLEL ANALOG-TO-DIGITAL CONVERTER

SLAS239A – SEPTEMBER 1999 – REVISED FEBRUARY 2000

functional block diagram



Terminal Functions

| TERMINAL | | I/O | DESCRIPTION |
|------------------------------------|---------|-----|---|
| NAME | NO. | | |
| AGND | 21 | | Analog ground |
| AIN | 23 | I | ADC analog input |
| AV _{DD} | 22 | | Analog supply voltage, 2.7 V to 5.5 V |
| A0/D6 | 16 | I/O | Bidirectional 3-state data bus. D6/A0 along with D7/A1 is used as address lines to access CR0 and CR1 for initialization. |
| A1/D7 | 17 | I/O | Bidirectional 3-state data bus. D7/A1 along with D6/A0 is used as address lines to access CR0 and CR1 for initialization. |
| CLK | 4 | I | External clock input |
| $\overline{\text{CS}}$ | 1 | I | Chip select. A logic low on $\overline{\text{CS}}$ enables the TLV571. |
| $\overline{\text{CSTART}}$ | 18 | I | Hardware sample and conversion start input. The falling edge of $\overline{\text{CSTART}}$ starts sampling and the rising edge of $\overline{\text{CSTART}}$ starts conversion. |
| DGND | 5, 8, 9 | | Digital ground |
| DV _{DD} | 6 | | Digital supply voltage, 2.7 V to 5.5 V |
| D0 – D5 | 10–15 | I/O | Bidirectional 3-state data bus |
| $\overline{\text{INT}}/\text{EOC}$ | 7 | O | End-of-conversion/interrupt |
| NC | 24 | | Not connected |
| $\overline{\text{RD}}$ | 3 | I | Read data. A falling edge on $\overline{\text{RD}}$ enables a read operation on the data bus when $\overline{\text{CS}}$ is low. |
| REFM | 20 | I | Lower reference voltage (nominally ground). REFM must be supplied or REFM pin must be grounded. |
| REFP | 19 | I | Upper reference voltage (nominally AV _{DD}). The maximum input voltage range is determined by the difference between the voltage applied to REFP and REFM. |
| $\overline{\text{WR}}$ | 2 | I | Write data. A rising edge on the $\overline{\text{WR}}$ latches in configuration data when $\overline{\text{CS}}$ is low. When using software conversion start, a rising edge on $\overline{\text{WR}}$ also initiates an internal sampling start pulse. When $\overline{\text{WR}}$ is tied to ground, the ADC in nonprogrammable (hardware configuration mode). |

detailed description

analog-to-digital SAR converter

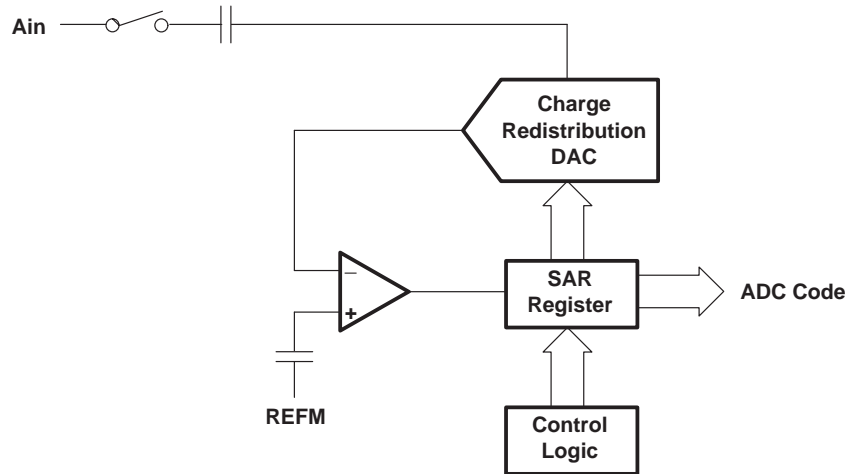


Figure 1

The TLV571 is a successive-approximation ADC utilizing a charge redistribution DAC. Figure 1 shows a simplified version of the ADC.

The sampling capacitor acquires the signal on A_{in} during the sampling period. When the conversion process starts, the SAR control logic and charge redistribution DAC are used to add and subtract fixed amounts of charge from the sampling capacitor to bring the comparator into a balanced condition. When the comparator is balanced, the conversion is complete and the ADC output code is generated.

sampling frequency, f_s

The TLV571 requires 16 CLKs for each conversion, therefore the equivalent maximum sampling frequency achievable with a given CLK frequency is:

$$f_{s(max)} = (1/16) f_{CLK}$$

The TLV571 is software configurable. The first two MSB bits, D(7,6) are used to address which register to set. The remaining six bits are used as control data bits. There are two control registers, CR0 and CR1, that are user configurable. All of the register bits are written to the control register during write cycles. A description of the control registers is shown in Figure 2.

TLV571
2.7 V TO 5.5 V, 1-CHANNEL, 8-BIT,
PARALLEL ANALOG-TO-DIGITAL CONVERTER

SLAS239A – SEPTEMBER 1999 – REVISED FEBRUARY 2000

detailed description (continued)

control registers

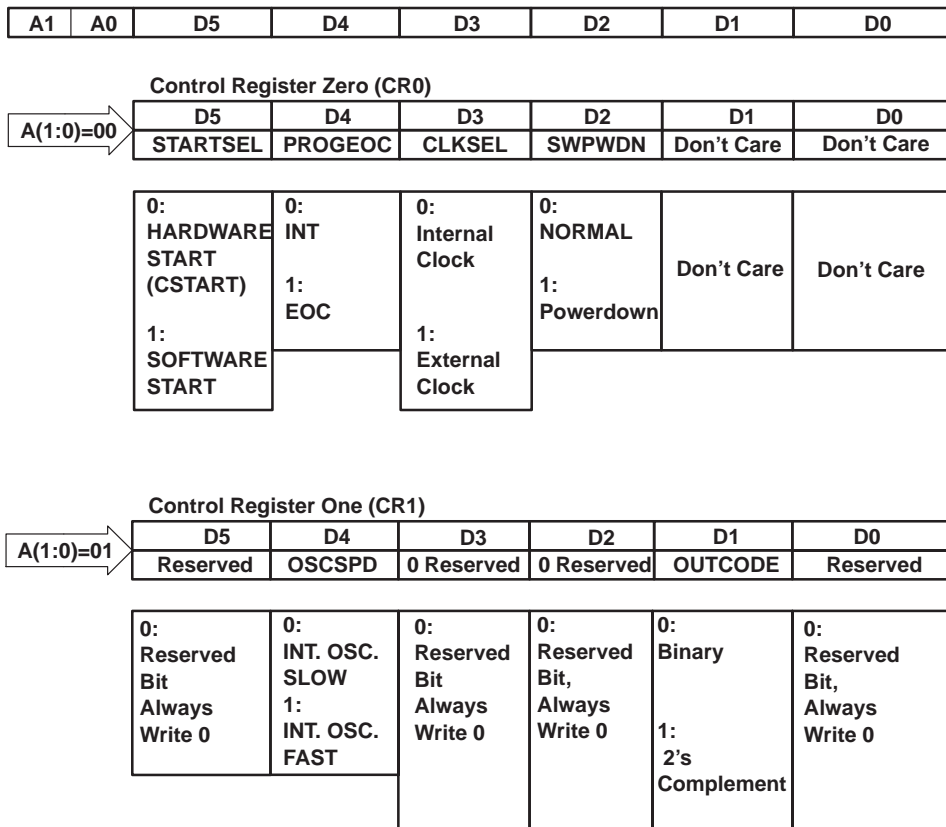


Figure 2. Input Data Format

hardware configuration option

The TLV571 can configure itself. This option is enabled when the \overline{WR} pin is tied to ground and a dummy \overline{RD} signal is applied. The ADC is now fully configured. Zeros or default values are applied to both control registers. The ADC is configured ideally for 3-V operation, which means the internal OSC is set at 10 MHz and hardware start of conversion using \overline{CSTART} .

ADC conversion modes

The TLV571 provides two start of conversion modes. Table 1 explains these modes in more detail.



detailed description (continued)

Table 1. Conversion Modes

| START OF CONVERSION | OPERATION | COMMENTS – FOR INPUT |
|--|--|--|
| Hardware start (CSTART) CR0.D5 = 0 | <ul style="list-style-type: none"> Repeated conversions from AIN CSTART falling edge to start sampling CSTART rising edge to start conversion If in INT mode, one INT pulse generated after each conversion If in EOC mode, EOC will go high to low at start of conversion, and return high at end of conversion. | CSTART rising edge must be applied a minimum of 5 ns before or after CLK rising edge. |
| Software start CR0.D5 = 1 | <ul style="list-style-type: none"> Repeated conversions from AIN WR rising edge to start sampling initially. Thereafter, sampling occurs at the rising edge of RD. Conversion begins after 6 clocks after sampling has begun. Thereafter, if in INT mode, one INT pulse generated after each conversion If in EOC mode, EOC will go high to low at start of conversion and return high at end of conversion. | With external clock, WR and RD rising edge must be a minimum 5 ns before or after CLK rising edge. |

configure the device

The device can be configured by writing to control registers CR0 and CR1.

Table 2. TLV571 Programming Examples

| REGISTER | INDEX | | D5 | D4 | D3 | D2 | D1 | D0 | COMMENT |
|-----------------|-------|----|----|----|----|----|----|----|-----------------------|
| | D7 | D6 | | | | | | | |
| EXAMPLE1 | | | | | | | | | |
| CR0 | 0 | 0 | 0 | 0 | 0 | 0 | 0 | 0 | Normal, INT OSC |
| CR1 | 0 | 1 | 0 | 0 | 0 | 0 | 0 | 0 | Binary |
| EXAMPLE2 | | | | | | | | | |
| CR0 | 0 | 0 | 0 | 1 | 1 | 1 | 0 | 0 | Power down, EXT OSC |
| CR1 | 0 | 1 | 0 | 0 | 0 | 0 | 1 | 0 | 2's complement output |

power down

The TLV571 offers two power down modes, auto power down and software power down. This device will automatically proceed to auto power down mode if RD is not present one clock after conversion. Software power down is controlled directly by the user by pulling CS to DVDD.

Table 3. Power Down Modes

| PARAMETERS/MODES | AUTO POWER DOWN | SOFTWARE POWER DOWN (CS = DVDD) |
|--|-----------------|------------------------------------|
| Maximum power down dissipation current | 1 mA | 10 µA |
| Comparator | Power down | Power down |
| Clock buffer | Power down | Power down |
| Control registers | Saved | Saved |
| Minimum power down time | 1 CLK | 2 CLK |
| Minimum resume time | 1 CLK | 2 CLK |

TLV571

2.7 V TO 5.5 V, 1-CHANNEL, 8-BIT, PARALLEL ANALOG-TO-DIGITAL CONVERTER

SLAS239A – SEPTEMBER 1999 – REVISED FEBRUARY 2000

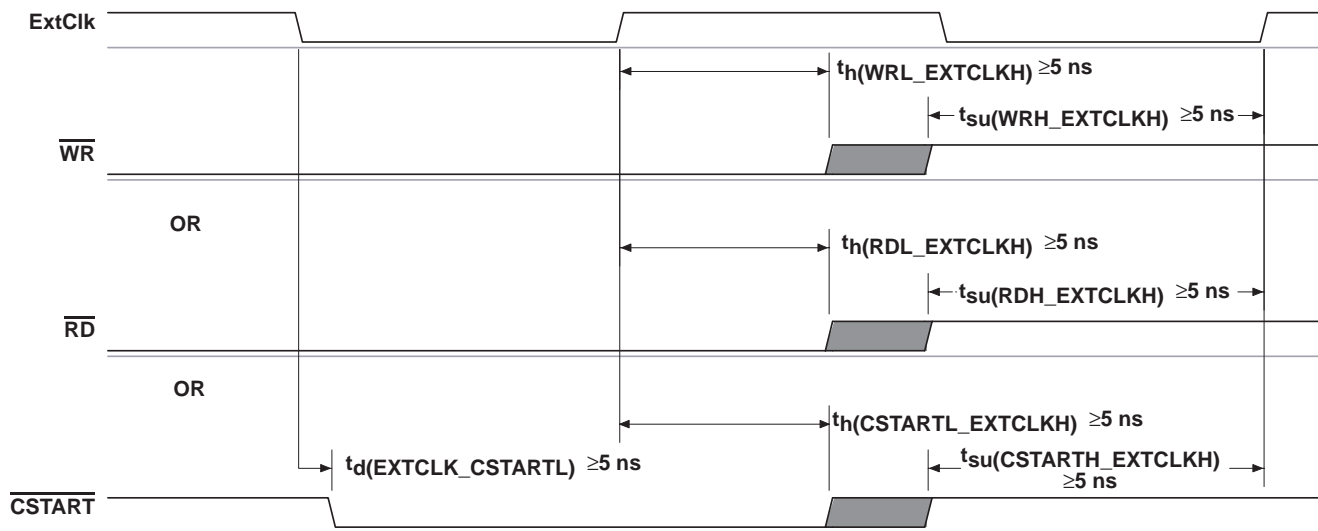
detailed description (continued)

reference voltage input

The TLV571 has two reference input pins: REFP and REFM. The voltage levels applied to these pins establish the upper and lower limits of the analog inputs to produce a full-scale and zero-scale reading respectively. The values of REFP, REFM, and the analog input should not exceed the positive supply or be less than GND consistent with the specified absolute maximum ratings. The digital output is at full scale when the input signal is equal to or higher than REFP and is at zero when the input signal is equal to or lower than REFM.

sampling/conversion

All sampling, conversion, and data output in the device are started by a trigger. This could be the \overline{RD} , \overline{WR} , or \overline{CSTART} signal depending on the mode of conversion and configuration. The rising edge of \overline{RD} , \overline{WR} , and \overline{CSTART} signal are extremely important, since they are used to start the conversion. These edges need to stay close to the rising edge of the external clock (if it is used as CLK). The minimum setup and hold time with respect to the rising edge of the external clock should be 5 ns minimum. When the internal clock is used, this is not an issue since these two edges will start the internal clock automatically. Therefore, the setup time is always met. Software controlled sampling lasts 6 clock cycles. This is done via the CLK input or the internal oscillator if enabled. The input clock frequency can be 1 MHz to 20 MHz, translating into a sampling time from 0.6 μ s to 0.3 μ s. The internal oscillator frequency is 9 MHz minimum (ocillator frequency is between 9 MHz to 22 MHz), translating into a sampling time from 0.6 μ s to 0.3 μ s. Conversion begins immediately after sampling and lasts 10 clock cycles. This is again done using the external clock input (1 MHz–20 MHz) or the internal oscillator (9 MHz minimum) if enabled. Hardware controlled sampling, via \overline{CSTART} , begins on falling \overline{CSTART} lasts the length of the active \overline{CSTART} signal. This allows more control over the sampling time, which is useful when sampling sources with large output impedances. On rising \overline{CSTART} , conversion begins. Conversion in hardware controlled mode also lasts 10 clock cycles. This is done using the external clock input (1 MHz–20 MHz) or the internal oscillator (9 MHz minimum) as is the case in software controlled mode.



NOTE: t_{su} = setup time, t_h = hold time

Figure 3. Trigger Timing – Software Start Mode Using External Clock



start of conversion mechanism

There are two ways to convert data: hardware and software. In the hardware conversion mode the ADC begins sampling at the falling edge of $\overline{\text{CSTART}}$ and begins conversion at the rising edge of $\overline{\text{CSTART}}$. Software start mode ADC samples for 6 clocks, then conversion occurs for ten clocks. The total sampling and conversion process lasts only 16 clocks in this case. If $\overline{\text{RD}}$ is not detected during the next clock cycle, the ADC automatically proceeds to a power-down state. Data is valid on the rising edge of $\overline{\text{INT}}$ in both conversion modes.

hardware CSTART conversion

external clock

With $\overline{\text{CS}}$ low and $\overline{\text{WR}}$ low, data is written into the ADC. The sampling begins at the falling edge of $\overline{\text{CSTART}}$ and conversion begins at the rising edge of $\overline{\text{CSTART}}$. At the end of conversion, EOC goes from low to high, telling the host that conversion is ready to be read out. The external clock is active and is used as the reference at all times. With this mode, it is required that $\overline{\text{CSTART}}$ is not applied at the rising edge of the clock (see Figure 4).

start of conversion mechanism (continued)

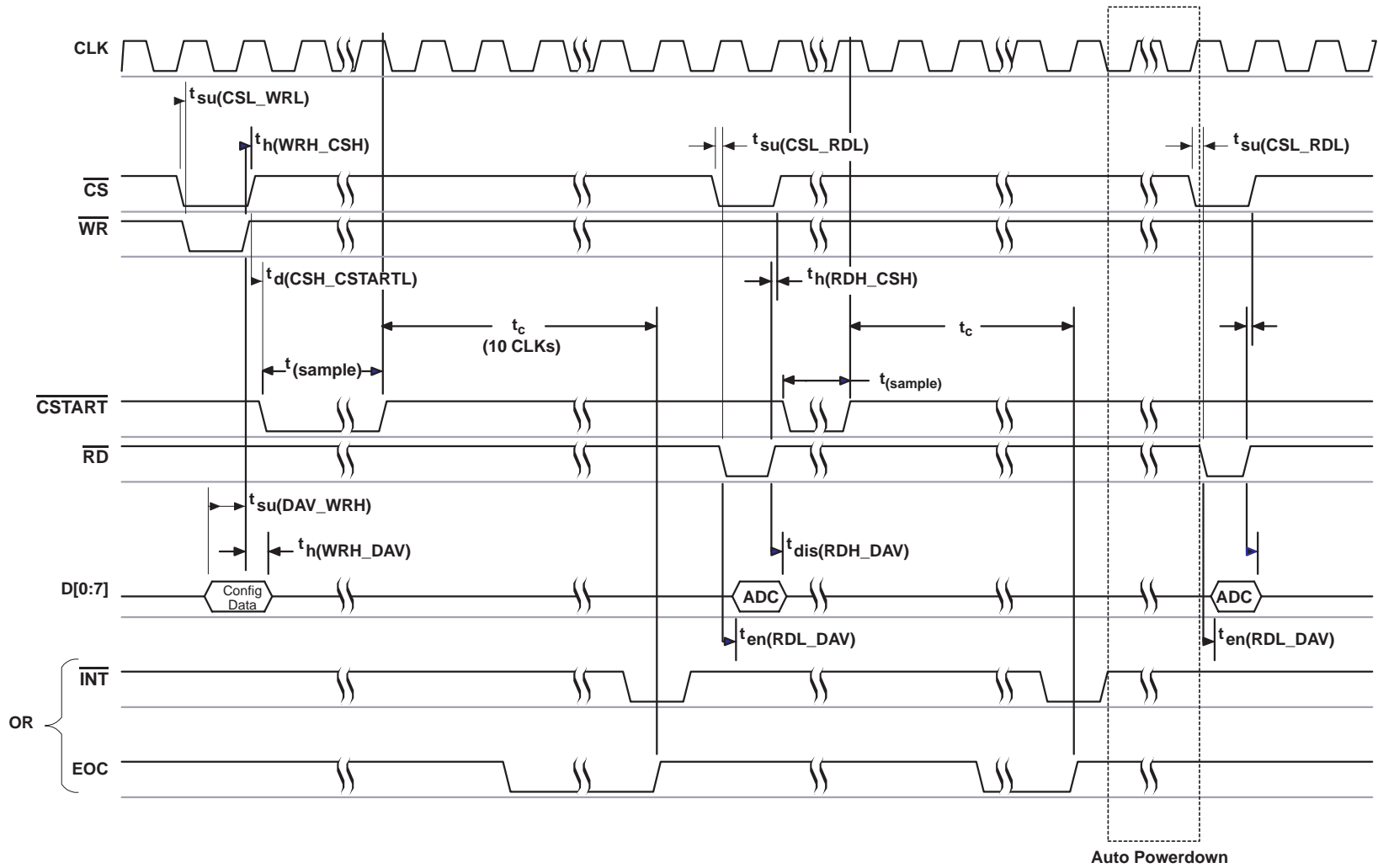


Figure 4. Input Conversion – Hardware \overline{CSTART} , External Clock

internal clock

With \overline{CS} low and \overline{WR} low, data is written into the ADC. The sampling begins at the falling edge of \overline{CSTART} , and conversion begins at the rising edge of \overline{CSTART} . The internal clock turns on at the rising edge of \overline{CSTART} . The internal clock is disabled after each conversion.

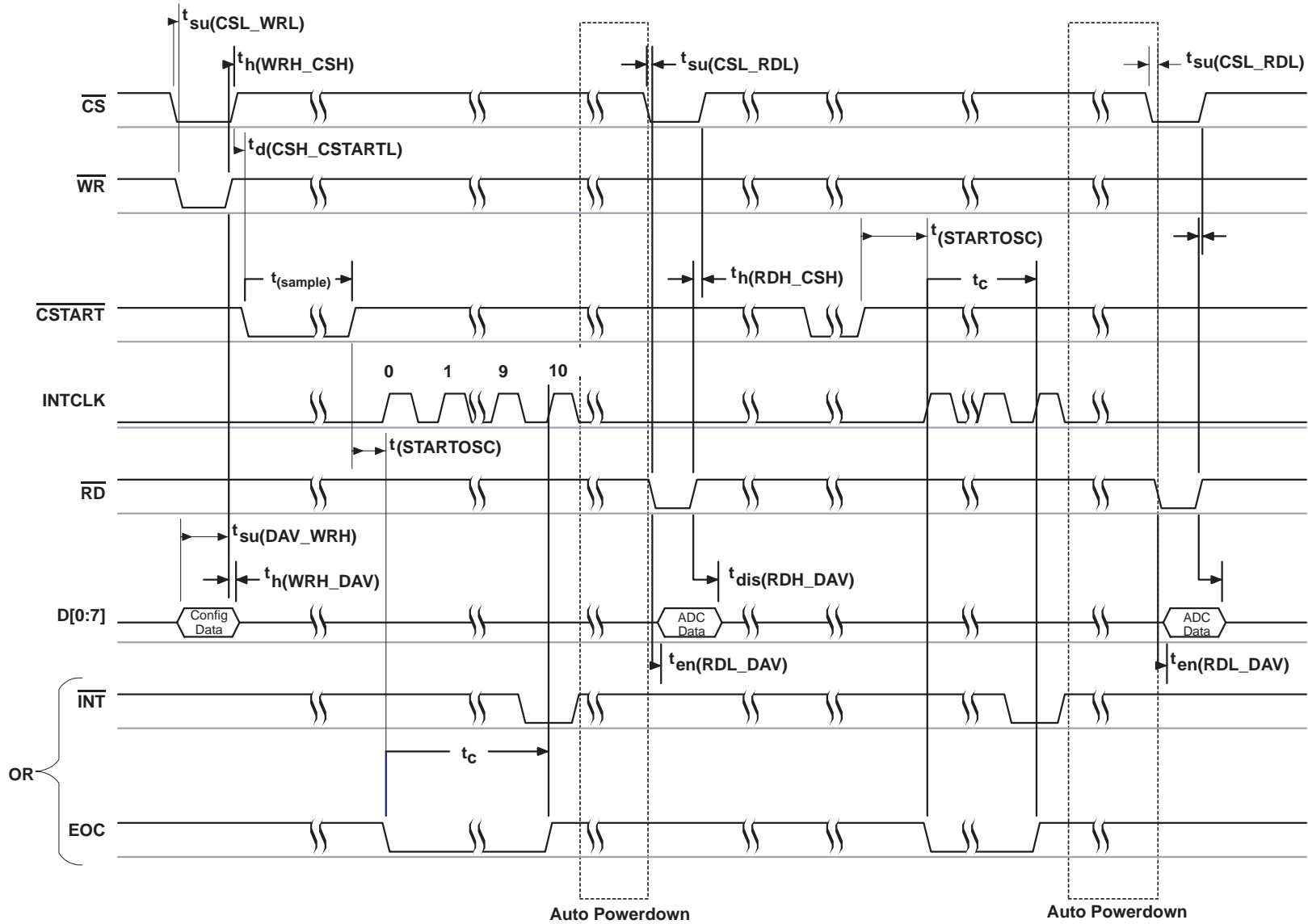


Figure 5. Input Conversion – Hardware \overline{CSTART} , Internal Clock

software START conversion

external clock

With \overline{CS} low and \overline{WR} low, data is written into the ADC. Sampling begins at the rising edge of \overline{WR} . The conversion process begins 6 clocks after sampling begins. At the end of conversion, the \overline{INT} goes low telling the host that conversion is ready to be read out. EOC B low during the conversion. The external clock is active and used as the reference at all times. With this mode, \overline{WR} and \overline{RD} should not be applied at the rising edge of the clock (see Figure 3).

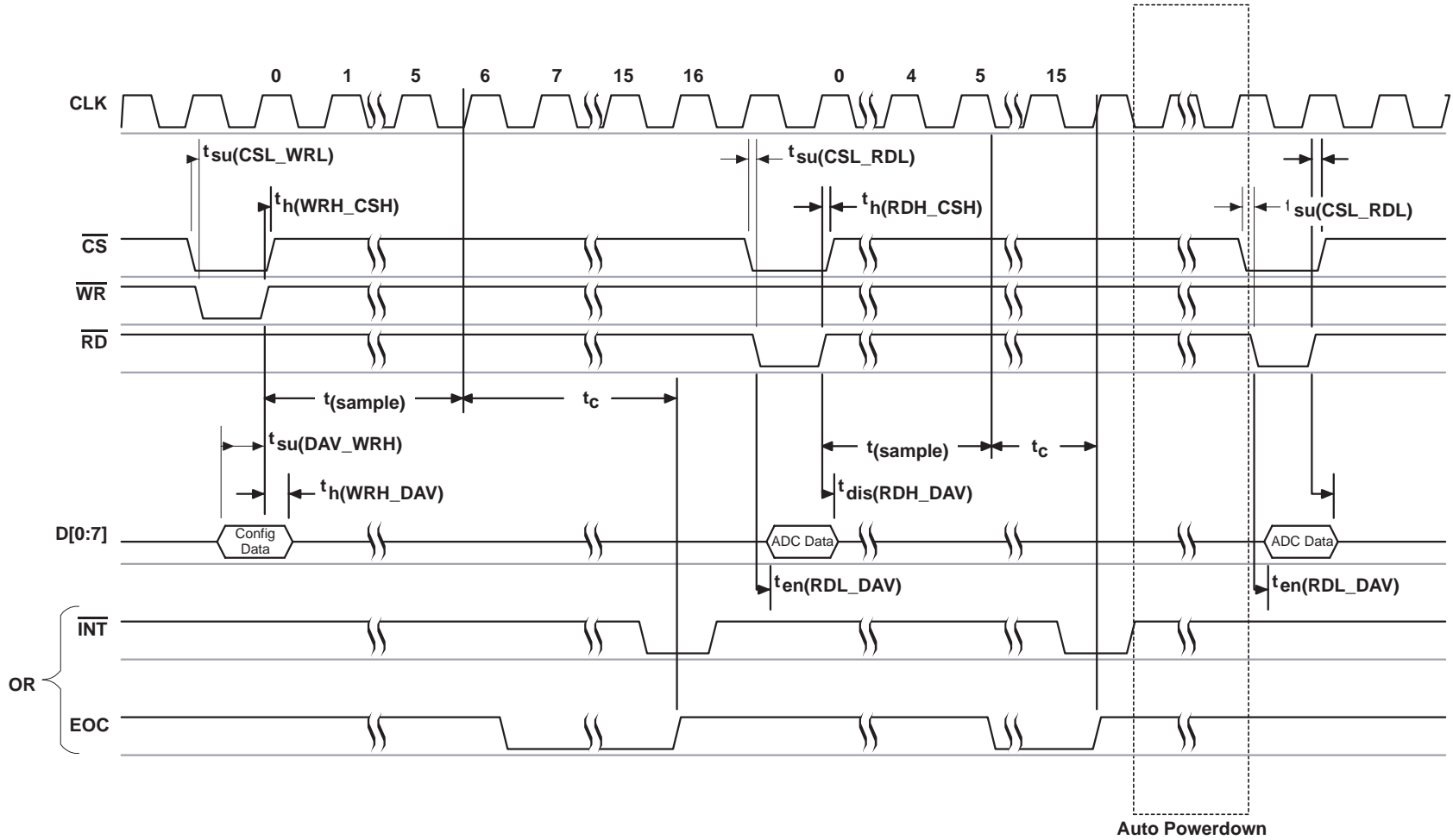


Figure 6. Input Conversion – Software Start, External Clock

software START conversion (continued)

internal clock

With \overline{CS} low and \overline{WR} low, data is written into the ADC. Sampling begins at the rising edge of \overline{WR} . Conversion begins 6 clocks after sampling begins. The internal clock begins at the rising edge of \overline{WR} . The internal clock is disabled after each conversion. Subsequent sampling begins at the rising edge of \overline{RD} .

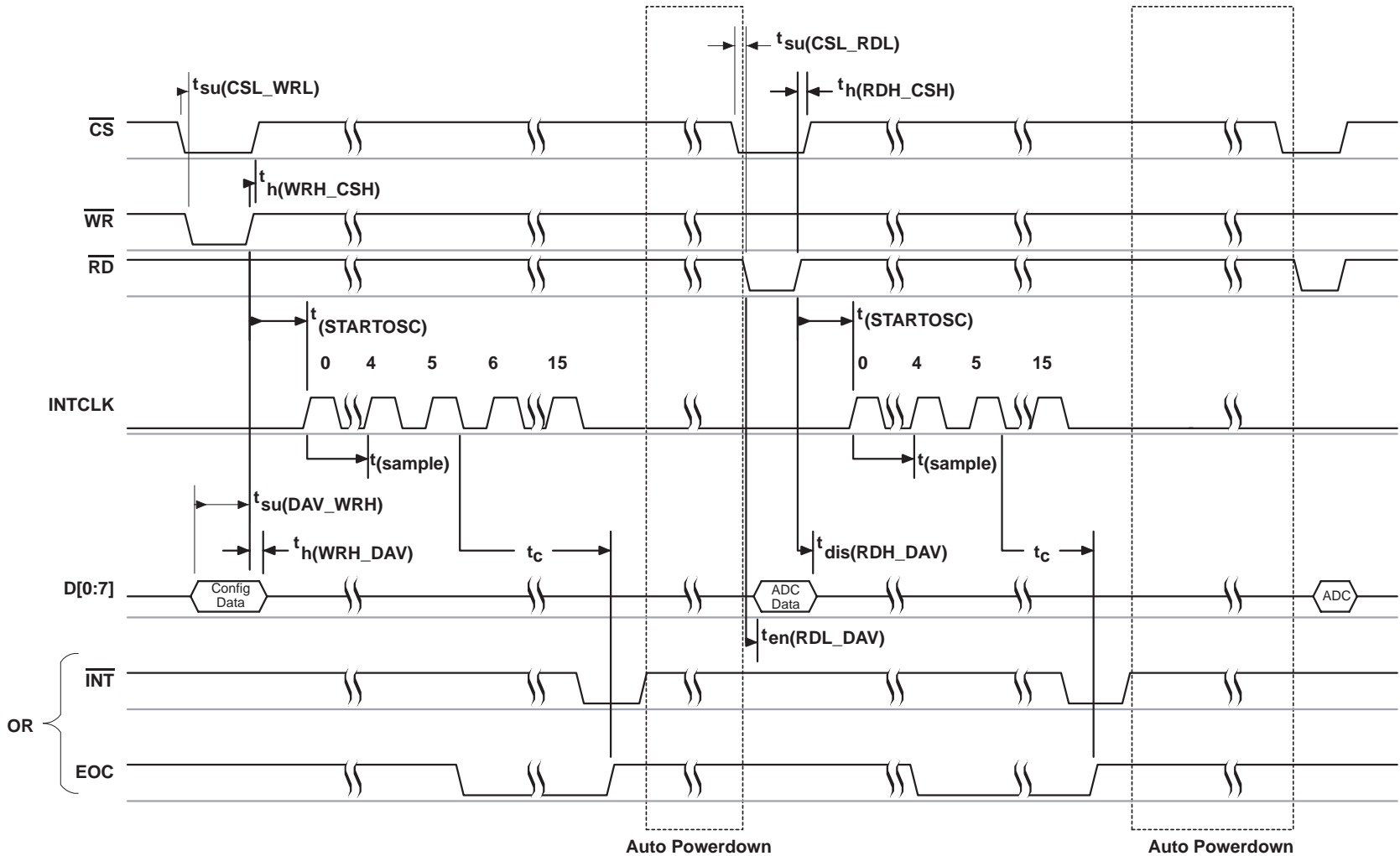


Figure 7. Input Conversion – Software Start, Internal Clock

TLV571

2.7 V TO 5.5 V, 1-CHANNEL, 8-BIT, PARALLEL ANALOG-TO-DIGITAL CONVERTER

SLAS239A – SEPTEMBER 1999 – REVISED FEBRUARY 2000

software START conversion (continued)

system clock source

The TLV571 internally derives multiple clocks from the SYSCLK for different tasks. SYSCLK is used for most conversion subtasks. The source of SYSCLK is programmable via control register zero, bit 3. The source of SYSCLK is changed at the rising edge of \overline{WR} of the cycle when CR0.D3 is programmed.

internal clock (CR0.D3 = 0, SYSCLK = internal OSC)

The TLV571 has a built-in 10 MHz OSC. When the internal OSC is selected as the source of SYSCLK, the internal clock starts with a delay (one half of the OSC period max) after the falling edge of the conversion trigger (either \overline{WR} , \overline{RD} , or \overline{CSTART}). The OSC speed can be set to 10 ± 1 MHz or 20 ± 2 MHz by setting register bit CR1.D4.

external clock (CR0.D3 = 1, SYSCLK = external clock)

The TLV571 is designed to accept an external clock input (CMOS/TTL logic) with frequencies from 1 MHz to 20 MHz.

host processor interface

The TLV571 provides a generic high-speed parallel interface that is compatible with high-performance DSPs and general-purpose microprocessors. The interface includes D(0–7), \overline{INT}/EOC , \overline{RD} , and \overline{WR} .

output format

The data output format is unipolar (code 0 to 255). The output code format can be either binary or twos complement by setting register bit CR1.D1.

power up and initialization

After power up, \overline{CS} must be low to begin an I/O cycle. \overline{INT}/EOC is initially high. The TLV571 requires two write cycles to configure the two control registers. The first conversion after the device has returned from the power down state may be invalid and should be disregarded.

definitions of specifications and terminology

integral nonlinearity

Integral nonlinearity refers to the deviation of each individual code from a line drawn from zero through full scale. The point used as zero occurs 1/2 LSB before the first code transition. The full-scale point is defined as level 1/2 LSB beyond the last code transition. The deviation is measured from the center of each particular code to the true straight line between these two points.

differential nonlinearity

An ideal ADC exhibits code transitions that are exactly 1 LSB apart. DNL is the deviation from this ideal value. A differential nonlinearity error of less than ± 1 LSB ensures no missing codes.

zero offset

The major carry transition should occur when the analog input is at zero volts. Zero error is defined as the deviation of the actual transition from that point.

gain error

The first code transition should occur at an analog value 1/2 LSB above negative full scale. The last transition should occur at an analog value 1 1/2 LSB below the nominal full scale. Gain error is the deviation of the actual difference between first and last code transitions and the ideal difference between first and last code transitions.



software START conversion (continued)

signal-to-noise ratio + distortion (SINAD)

Signal-to-noise ratio + distortion is the ratio of the rms value of the measured input signal to the rms sum of all other spectral components below the Nyquist frequency, including harmonics but excluding dc. The value for SINAD is expressed in decibels.

effective number of bits (ENOB)

For a sine wave, SINAD can be expressed in terms of the number of bits. Using the following formula,

$$N = (\text{SINAD} - 1.76)/6.02$$

it is possible to get a measure of performance expressed as N, the effective number of bits. Thus, the effective number of bits for a device for sine wave inputs at a given input frequency can be calculated directly from its measured SINAD.

total harmonic distortion (THD)

Total harmonic distortion is the ratio of the rms sum of the first six harmonic components to the rms value of the measured input signal and is expressed as a percentage or in decibels.

spurious free dynamic range (SFDR)

Spurious free dynamic range is the difference in dB between the rms amplitude of the input signal and the peak spurious signal.

DSP interface

The TLV571 is a 8-bit single input channel analog-to-digital converter with throughput up to 1.25 MSPS at 5 V and up to 625 KSPS at 3 V. To achieve 1.25 MSPS throughput, the ADC must be clocked at 20 MHz. Likewise to achieve 625 KSPS throughout, the ADC must be clocked at 10 MHz. The TLV571 can be easily interfaced to microcontrollers, ASICs, and DSPs. Figure 8 shows the pin connections to interface the TLV571 to the TMS320C6x DSP.

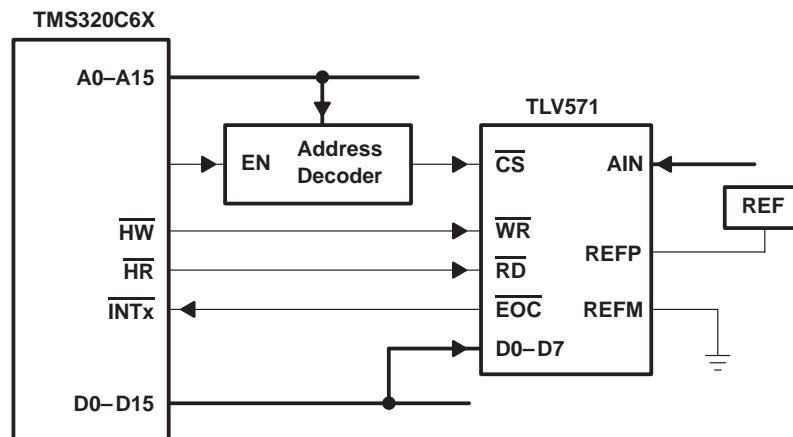


Figure 8. TMS320C6x DSP Interface

TLV571

2.7 V TO 5.5 V, 1-CHANNEL, 8-BIT, PARALLEL ANALOG-TO-DIGITAL CONVERTER

SLAS239A – SEPTEMBER 1999 – REVISED FEBRUARY 2000

grounding and decoupling considerations

General practices should apply to the PCB design to limit high frequency transients and noise that are fed back into the supply and reference lines. This requires that the supply and reference pins be sufficiently bypassed. In most cases 0.1- μ F ceramic chip capacitors are adequate to keep the impedance low over a wide frequency range. Since their effectiveness depends largely on the proximity to the individual supply pin, they should be placed as close to the supply pins as possible.

To reduce high frequency and noise coupling, it is highly recommended that digital and analog grounds be shorted immediately outside the package. This can be accomplished by running a low impedance line between DGND and AGND under the package.

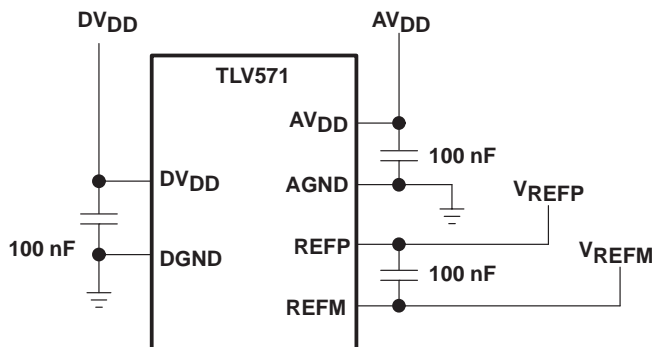
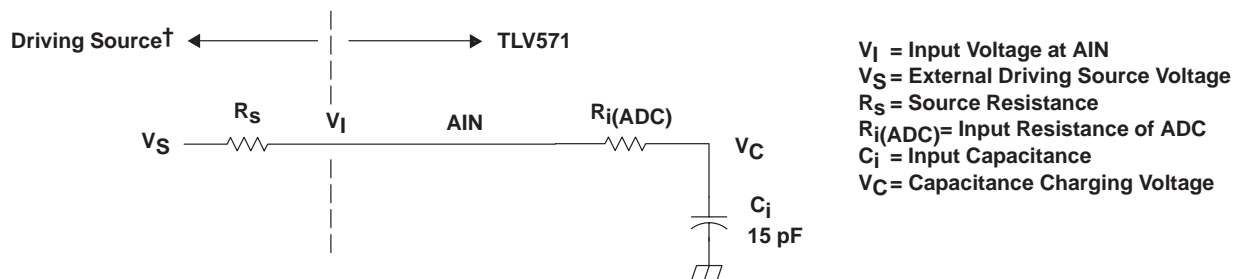


Figure 9. Placement for Decoupling Capacitors

power supply ground layout

Printed-circuit boards that use separate analog and digital ground planes offer the best system performance. Wire-wrap boards do not perform well and should not be used. The two ground planes should be connected together at the low-impedance power-supply source. The best ground connection may be achieved by connecting the ADC AGND terminal to the system analog ground plane making sure that analog ground currents are well managed.



† Driving source requirements:

- Noise and distortion for the source must be equivalent to the resolution of the converter.
- R_S must be real at the input frequency.

Figure 10. Equivalent Input Circuit Including the Driving Source

simplified analog input analysis

Using the equivalent circuit in Figure 10, the time required to charge the analog input capacitance from 0 to V_S within 1/2 LSB, $t_{ch}(1/2 \text{ LSB})$, can be derived as follows.

The capacitance charging voltage is given by:

$$V_{C(t)} = V_S \left(1 - e^{-t_{ch}/R_t C_i} \right)$$

Where

$$R_t = R_s + R_i \tag{1}$$

$$R_i = R_{i(\text{ADC})}$$

t_{ch} = Charge time

The input impedance R_i is 718 Ω at 5 V, and is higher (~ 1.25 k Ω) at 2.7 V. The final voltage to 1/2 LSB is given by:

$$V_C(1/2 \text{ LSB}) = V_S - (V_S/512) \tag{2}$$

Equating equation 1 to equation 2 and solving for cycle time t_c gives:

$$V_S - (V_S/512) = V_S \left(1 - e^{-t_{ch}/R_t C_i} \right) \tag{3}$$

and time to change to 1/2 LSB (minimum sampling time) is:

$$t_{ch}(1/2 \text{ LSB}) = R_t \times C_i \times \ln(512)$$

Where

$$\ln(512) = 6.238$$

Therefore, with the values given, the time for the analog input signal to settle is:

$$t_{ch}(1/2 \text{ LSB}) = (R_s + 718 \Omega) \times 15 \text{ pF} \times \ln(512) \tag{4}$$

This time must be less than the converter sample time shown in the timing diagrams. Which is 6x SCLK.

$$t_{ch}(1/2 \text{ LSB}) \leq 6 \times 1/f(\text{SCLK}) \tag{5}$$

Therefore the maximum SCLK frequency is:

$$\text{Max}(f(\text{SCLK})) = 6/t_{ch}(1/2 \text{ LSB}) = 6/(\ln(512) \times R_t \times C_i) \tag{6}$$

TLV571

2.7 V TO 5.5 V, 1-CHANNEL, 8-BIT, PARALLEL ANALOG-TO-DIGITAL CONVERTER

SLAS239A – SEPTEMBER 1999 – REVISED FEBRUARY 2000

absolute maximum ratings over operating free-air temperature range (unless otherwise noted)†

| | |
|--|-----------------------------|
| Supply voltage, GND to V_{CC} | –0.3 V to 6.5 V |
| Analog input voltage range | –0.3 V to $AV_{DD} + 0.3$ V |
| Reference input voltage range | $AV_{DD} + 0.3$ V |
| Digital input voltage range | –0.3 V to $DV_{DD} + 0.3$ V |
| Operating virtual junction temperature range, T_J | –40°C to 150°C |
| Operating free-air temperature range, T_A , | –40°C to 85°C |
| Storage temperature range, T_{stg} | –65°C to 150°C |
| Lead temperature 1,6 mm (1/16 inch) from case for 10 seconds | 260°C |

† Stresses beyond those listed under “absolute maximum ratings” may cause permanent damage to the device. These are stress ratings only, and functional operation of the device at these or any other conditions beyond those indicated under “recommended operating conditions” is not implied. Exposure to absolute-maximum-rated conditions for extended periods may affect device reliability.

recommended operating conditions

power supplies

| | MIN | MAX | UNIT |
|-----------------------------------|-----|-----|------|
| Analog supply voltage, AV_{DD} | 2.7 | 5.5 | V |
| Digital supply voltage, DV_{DD} | 2.7 | 5.5 | V |

NOTE 1: $Abs(AV_{DD} - DV_{DD}) < 0.5$ V

analog inputs

| | MIN | MAX | UNIT |
|--------------------------------|------|-------|------|
| Analog input voltage, A_{IN} | AGND | VREFP | V |

digital inputs

| | | MIN | NOM | MAX | UNIT |
|--|--|-----|-----|-----|------|
| High-level input voltage, V_{IH} | $DV_{DD} = 2.7$ V to 5.5 V | 2.1 | 2.4 | | V |
| Low level input voltage, V_{IL} | $DV_{DD} = 2.7$ V to 5.5 V | | | 0.8 | V |
| Input CLK frequency | $DV_{DD} = 4.5$ V to 5.5 V | | | 20 | MHz |
| | $DV_{DD} = 2.7$ V to 3.3 V | | | 10 | MHz |
| Pulse duration, CLK high, $t_w(\text{CLKH})$ | $DV_{DD} = 4.5$ V to 5.5 V, $f_{CLK} = 20$ MHz | 23 | | | ns |
| | $DV_{DD} = 2.7$ V to 3.3 V, $f_{CLK} = 10$ MHz | 46 | | | ns |
| Pulse duration, CLK low, $t_w(\text{CLKL})$ | $DV_{DD} = 4.5$ V to 5.5 V, $f_{CLK} = 20$ MHz | 23 | | | ns |
| | $DV_{DD} = 2.7$ V to 3.3 V, $f_{CLK} = 10$ MHz | 46 | | | ns |
| Rise time, I/O and control, CLK, \overline{CS} | 50 pF output load | 4 | | | ns |
| Fall time, I/O and control, CLK, \overline{CS} | 50 pF output load | 4 | | | |

reference specifications

| | | | MIN | NOM | MAX | UNIT | |
|----------------------------|---------------|-----------------|------|-----|-----------|-------------------------|---|
| External reference voltage | VREFP | $AV_{DD} = 3$ V | 2 | | AV_{DD} | V | |
| | | $AV_{DD} = 5$ V | 2.5 | | AV_{DD} | V | |
| | VREFM | $AV_{DD} = 3$ V | AGND | | 1 | V | |
| | | $AV_{DD} = 5$ V | AGND | | 2 | V | |
| | VREFP – VREFM | | | 2 | | $AV_{DD} - \text{AGND}$ | V |



TLV571
2.7 V TO 5.5 V, 1-CHANNEL, 8-BIT,
PARALLEL ANALOG-TO-DIGITAL CONVERTER

SLAS239A – SEPTEMBER 1999 – REVISED FEBRUARY 2000

electrical characteristics over recommended operating free-air temperature range, supply voltages, and reference voltages (unless otherwise noted)

digital specifications

| PARAMETER | | TEST CONDITIONS | MIN | TYP | MAX | UNIT |
|----------------------|-------------------------------------|---|-----------------|-----|-----|---------------|
| Logic inputs | | | | | | |
| I_{IH} | High-level input current | $DV_{DD} = 5\text{ V}$, $DV_{DD} = 3\text{ V}$, Input = DV_{DD} | -1 | | 1 | μA |
| I_{IL} | Low-level input current | $DV_{DD} = 5\text{ V}$, $DV_{DD} = 3\text{ V}$, Input = 0 V | -1 | | 1 | μA |
| C_i | Input capacitance | | | 10 | 15 | pF |
| Logic outputs | | | | | | |
| V_{OH} | High-level output voltage | $I_{OH} = 50\ \mu\text{A}$ to 0.5 mA | $DV_{DD} - 0.4$ | | | V |
| V_{OL} | Low-level output voltage | $I_{OL} = 50\ \mu\text{A}$ to 0.5 mA | | | 0.4 | V |
| I_{OZ} | High-impedance-state output current | $DV_{DD} = 5\text{ V}$, $DV_{DD} = 3\text{ V}$, Input = DV_{DD} | | | 1 | μA |
| I_{OL} | Low-impedance-state output current | $DV_{DD} = 5\text{ V}$, $DV_{DD} = 3\text{ V}$, Input = 0 V | | | -1 | μA |
| C_o | Output capacitance | | | 5 | | pF |
| Internal clock | | 3 V, $AV_{DD} = DV_{DD}$ | 9 | 10 | 11 | MHz |
| | | 5 V, $AV_{DD} = DV_{DD}$ | 18 | 20 | 22 | |

dc specifications

| PARAMETER | | TEST CONDITIONS | MIN | TYP | MAX | UNIT | |
|--|-----------------------------------|--|--------------------|------------------------|-------------|---------------|---------------|
| Resolution | | | | 8 | | Bits | |
| Accuracy | | | | | | | |
| Integral nonlinearity, INL | | Best fit | | ± 0.3 | ± 0.5 | LSB | |
| Differential nonlinearity, DNL | | | | ± 0.3 | ± 0.5 | LSB | |
| Missing codes | | | | | 0 | | |
| E_O | Offset error | | | $\pm 0.15\%$ | $\pm 0.3\%$ | FSR | |
| E_G | Gain error | | | $\pm 0.2\%$ | $\pm 0.4\%$ | FSR | |
| Analog input | | | | | | | |
| C_i | Input capacitance | A_{IN} , $AV_{DD} = 3\text{ V}$, $AV_{DD} = 5\text{ V}$ | | 15 | | pF | |
| | | MUX input, $AV_{DD} = 3\text{ V}$, $AV_{DD} = 5\text{ V}$ | | 25 | | pF | |
| I_{lkg} | Input leakage current | $V_{AIN} = 0$ to AV_{DD} | | | ± 1 | μA | |
| Voltage reference input | | | | | | | |
| r_i | Input resistance | | 2 | | | k Ω | |
| C_i | Input capacitance | | | 300 | | pF | |
| Power supply | | | | | | | |
| Operating supply current, $I_{DD} + I_{REF}$ | | $AV_{DD} = DV_{DD} = 3\text{ V}$, $f_{CLK} = 10\text{ MHz}$ | | 4 | 5.5 | mA | |
| | | $AV_{DD} = DV_{DD} = 5\text{ V}$, $f_{CLK} = 20\text{ MHz}$ | | 7 | 8.5 | mA | |
| PD | Power dissipation | $AV_{DD} + DV_{DD} = 3\text{ V}$ | | 12 | 17 | mW | |
| | | $AV_{DD} + DV_{DD} = 5\text{ V}$ | | 35 | 43 | mW | |
| I_{PD} | Supply current in power-down mode | Software | $I_{DD} + I_{REF}$ | $AV_{DD} = 3\text{ V}$ | 1 | 8 | μA |
| | | | | $AV_{DD} = 5\text{ V}$ | 2 | 10 | μA |
| | | Auto | $I_{DD} + I_{REF}$ | $AV_{DD} = 3\text{ V}$ | 0.5 | 1 | mA |
| | | | | $AV_{DD} = 5\text{ V}$ | 0.5 | 1 | mA |

TLV571
2.7 V TO 5.5 V, 1-CHANNEL, 8-BIT,
PARALLEL ANALOG-TO-DIGITAL CONVERTER

SLAS239A – SEPTEMBER 1999 – REVISED FEBRUARY 2000

electrical characteristics over recommended operating free-air temperature range, supply voltages, and reference voltages (unless otherwise noted) (continued)

ac specifications, $AV_{DD} = DV_{DD} = 5\text{ V}$ (unless otherwise noted)

| PARAMETER | TEST CONDITIONS | | MIN | TYP | MAX | UNIT |
|---|--|---|--------|-----|-------|------|
| Signal-to-noise ratio, SNR | $f_I = 100\text{ kHz}$, 80% of FS | $f_S = 1.25\text{ MSPS}$, $AV_{DD} = 5\text{ V}$ | 47 | 49 | | dB |
| | | $f_S = 625\text{ KSPS}$, $AV_{DD} = 3\text{ V}$ | 47 | 49 | | dB |
| Signal-to-noise ratio + distortion, SINAD | $f_I = 100\text{ kHz}$, 80% of FS | $f_S = 1.25\text{ MSPS}$, $AV_{DD} = 5\text{ V}$ | 47 | 49 | | dB |
| | | $f_S = 625\text{ KSPS}$, $AV_{DD} = 3\text{ V}$ | 47 | 49 | | dB |
| Total harmonic distortion, THD | $f_I = 100\text{ kHz}$, 80% of FS | $f_S = 1.25\text{ MSPS}$, $AV_{DD} = 5\text{ V}$ | | -64 | -52 | dB |
| | | $f_S = 625\text{ KSPS}$, $AV_{DD} = 3\text{ V}$ | | -62 | -52 | dB |
| Effective number of bits, ENOB | $f_I = 100\text{ kHz}$, 80% of FS | $f_S = 1.25\text{ MSPS}$, $AV_{DD} = 5\text{ V}$ | 7.5 | 7.9 | | Bits |
| | | $f_S = 625\text{ KSPS}$, $AV_{DD} = 3\text{ V}$ | 7.5 | 7.9 | | Bits |
| Spurious free dynamic range, SFDR | $f_I = 100\text{ kHz}$, 80% of FS | $f_S = 1.25\text{ MSPS}$, $AV_{DD} = 5\text{ V}$ | | -65 | -51 | dB |
| | | $f_S = 625\text{ KSPS}$, $AV_{DD} = 3\text{ V}$ | | -64 | -51 | dB |
| Analog input | | | | | | |
| Full-power bandwidth | -1 dB | Full-scale 0 dB input sine wave | 12 | 18 | | MHz |
| | -3 dB | Full-scale 0 dB input sine wave | | 30 | | MHz |
| Small-signal bandwidth | -1 dB | -20 dB input sine wave | 15 | 20 | | MHz |
| | -3 dB | -20 dB input sine wave | | 35 | | MHz |
| Sampling rate, f_S | $AV_{DD} = 4.5\text{ V to }5.5\text{ V}$ | | 0.0625 | | 1.25 | MSPS |
| | $AV_{DD} = 2.7\text{ V to }3.3\text{ V}$ | | 0.0625 | | 0.625 | MSPS |



TLV571
2.7 V TO 5.5 V, 1-CHANNEL, 8-BIT,
PARALLEL ANALOG-TO-DIGITAL CONVERTER
SLAS239A – SEPTEMBER 1999 – REVISED FEBRUARY 2000

timing requirements, $AV_{DD} = DV_{DD} = 5\text{ V}$ (unless otherwise noted)

| PARAMETER | TEST CONDITIONS | MIN | TYP | MAX | UNIT |
|-----------------------------------|---|--|-----|-----|--------------|
| $t_{c(\text{CLK})}$ | Input clock Cycle time | $DV_{DD} = 4.5\text{ V to }5.5\text{ V}$ | 50 | | ns |
| | | $DV_{DD} = 2.7\text{ V to }3.3\text{ V}$ | 100 | | ns |
| $t_{(\text{sample})}$ | Reset and sampling time | | 6 | | SYCLK Cycles |
| t_c | Total conversion time | | 10 | | SYCLK Cycles |
| $t_{w(\text{EOC})}$ | Pulse width, end of conversion, EOC | | 10 | | SYCLK Cycles |
| $t_{w(\text{INT})}$ | Pulse width, interrupt | | 1 | | SYCLK Cycles |
| $t_{(\text{STARTOSC})}$ | Start-up time, internal oscillator | | 100 | | ns |
| $t_{d(\text{CSH_CSTARTL})}$ | Delay time, $\overline{\text{CS}}$ high to $\overline{\text{CSTART}}$ low | | 10 | | ns |
| $t_{en(\text{RDL_DAV})}$ | Enable time, data out | $DV_{DD} = 5\text{ V at }50\text{ pF}$ | 20 | | ns |
| | | $DV_{DD} = 3\text{ V at }50\text{ pF}$ | 40 | | ns |
| $t_{dis(\text{RDH_DAV})}$ | Disable time, data out | $DV_{DD} = 5\text{ V at }50\text{ pF}$ | 5 | | ns |
| | | $DV_{DD} = 3\text{ V at }50\text{ pF}$ | 10 | | ns |
| $t_{su(\text{CSL_WRL})}$ | Setup time, $\overline{\text{CS}}$ to $\overline{\text{WR}}$ | | 5 | | ns |
| $t_{h(\text{WRH_CSH})}$ | Hold time, $\overline{\text{CS}}$ to $\overline{\text{WR}}$ | | 5 | | ns |
| $t_w(\text{WR})$ | Pulse width, write | | 1 | | Clock Period |
| $t_w(\text{RD})$ | Pulse width, read | | 1 | | Clock Period |
| $t_{su(\text{DAV_WRH})}$ | Setup time, data valid to $\overline{\text{WR}}$ | | 10 | | ns |
| $t_{h(\text{WRH_DAV})}$ | Hold time, data valid to $\overline{\text{WR}}$ | | 5 | | ns |
| $t_{su(\text{CSL_RDL})}$ | Setup time, $\overline{\text{CS}}$ to $\overline{\text{RD}}$ | | 5 | | ns |
| $t_{h(\text{RDH_CSH})}$ | Hold time, $\overline{\text{CS}}$ to $\overline{\text{RD}}$ | | 5 | | ns |
| $t_{h(\text{WRL_EXTCLKH})}$ | Hold time $\overline{\text{WR}}$ to clock high | | 5 | | ns |
| $t_{h(\text{RDL_EXTCLKH})}$ | Hold time $\overline{\text{RD}}$ to clock high | | 5 | | ns |
| $t_{h(\text{CSTARTL_EXTCLKH})}$ | Hold time $\overline{\text{CSTART}}$ to clock high | | 5 | | ns |
| $t_{su(\text{WRH_EXTCLKH})}$ | Setup time $\overline{\text{WR}}$ high to clock high | | 5 | | ns |
| $t_{su(\text{RDH_EXTCLKH})}$ | Setup time $\overline{\text{RD}}$ high to clock high | | 5 | | ns |
| $t_{su(\text{CSTARTH_EXTCLKH})}$ | Setup time $\overline{\text{CSTART}}$ high to clock high | | 5 | | ns |
| $t_{d(\text{EXTCLK_CSTARTL})}$ | Delay time clock low to $\overline{\text{CSTART}}$ low | | 5 | | ns |

NOTE: Specifications subject to change without notice.
Data valid is denoted as DAV.

TLV571
2.7 V TO 5.5 V, 1-CHANNEL, 8-BIT,
PARALLEL ANALOG-TO-DIGITAL CONVERTER

SLAS239A – SEPTEMBER 1999 – REVISED FEBRUARY 2000

TYPICAL CHARACTERISTICS

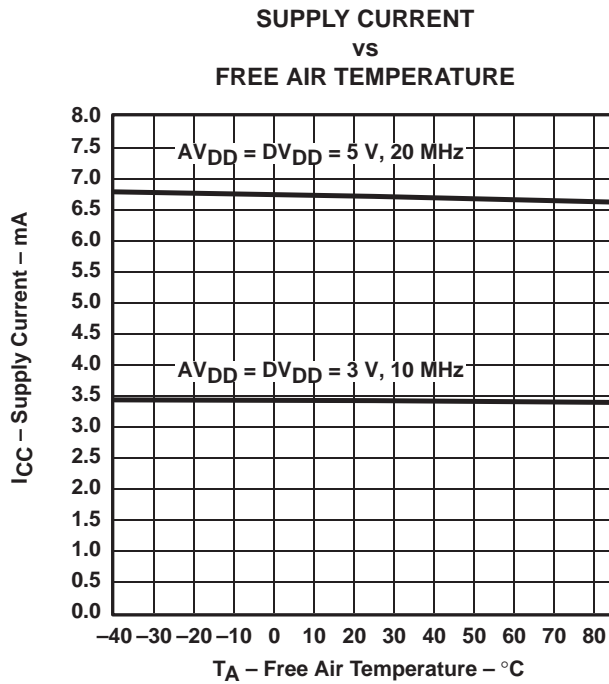


Figure 11

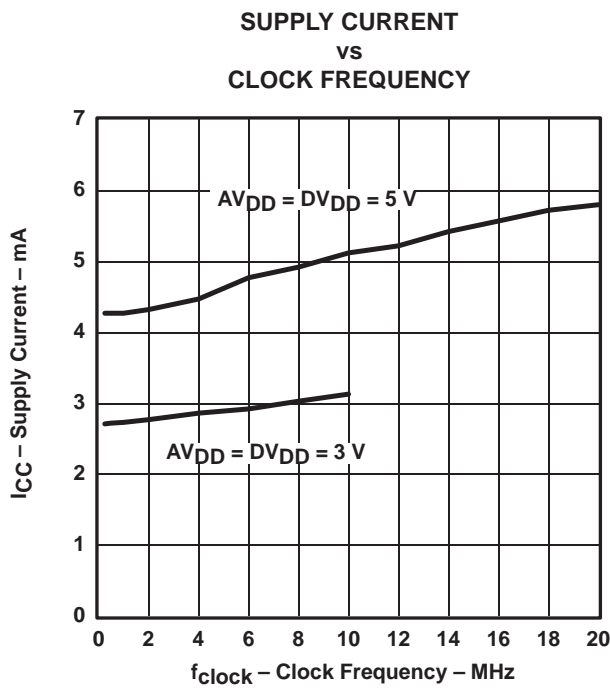


Figure 12

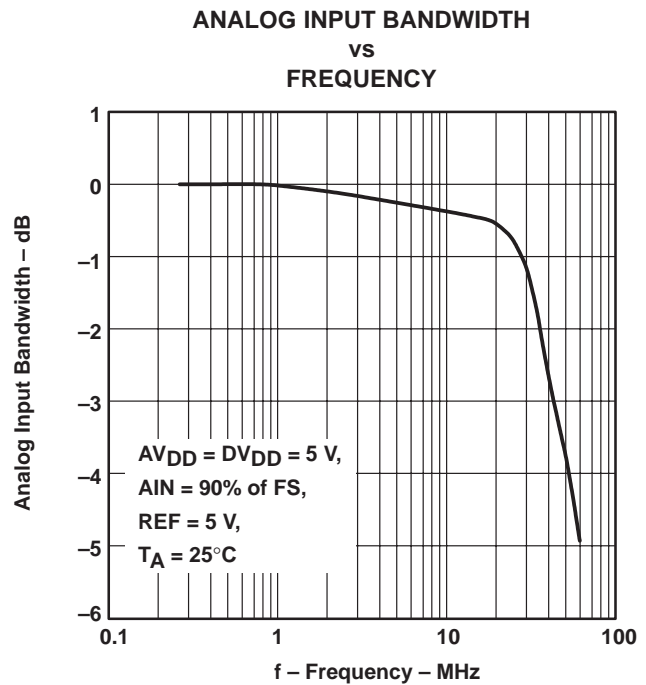


Figure 13



TYPICAL CHARACTERISTICS

DIFFERENTIAL NONLINEARITY
vs
DIGITAL OUTPUT CODE

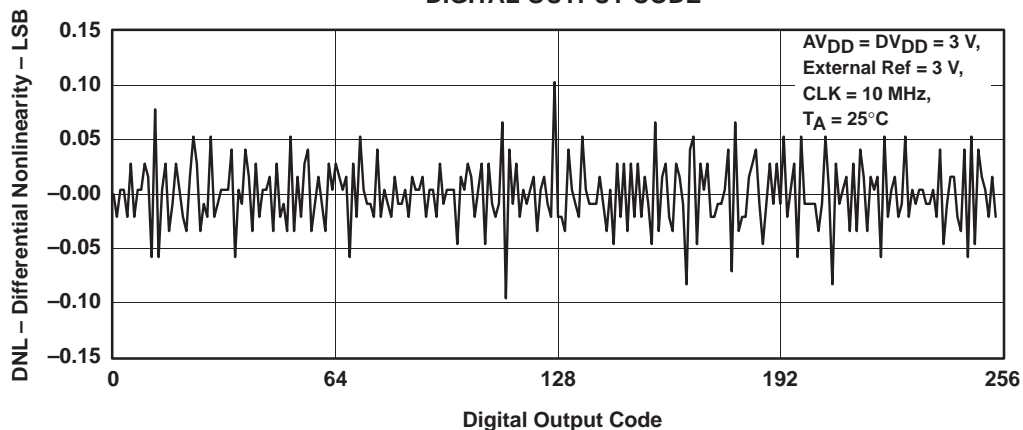


Figure 14

INTEGRAL NONLINEARITY
vs
DIGITAL OUTPUT CODE

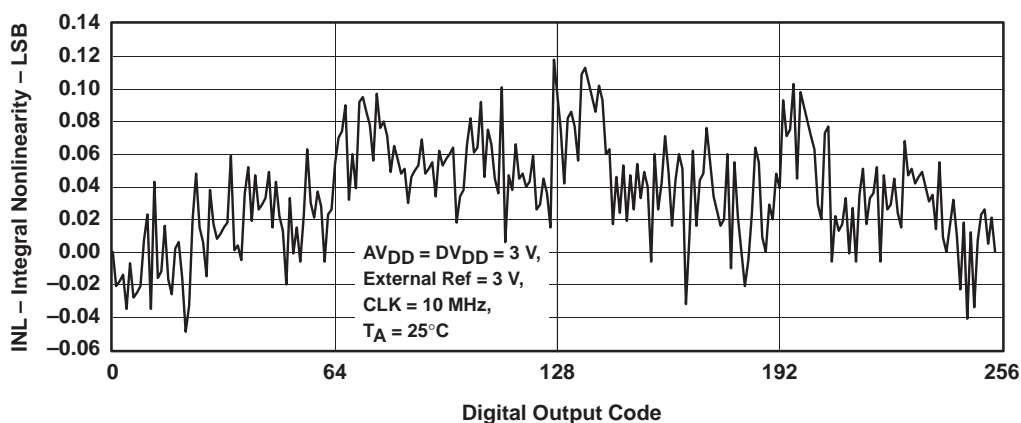


Figure 15

TLV571
2.7 V TO 5.5 V, 1-CHANNEL, 8-BIT,
PARALLEL ANALOG-TO-DIGITAL CONVERTER

SLAS239A – SEPTEMBER 1999 – REVISED FEBRUARY 2000

TYPICAL CHARACTERISTICS

DIFFERENTIAL NONLINEARITY
vs
DIGITAL OUTPUT CODE

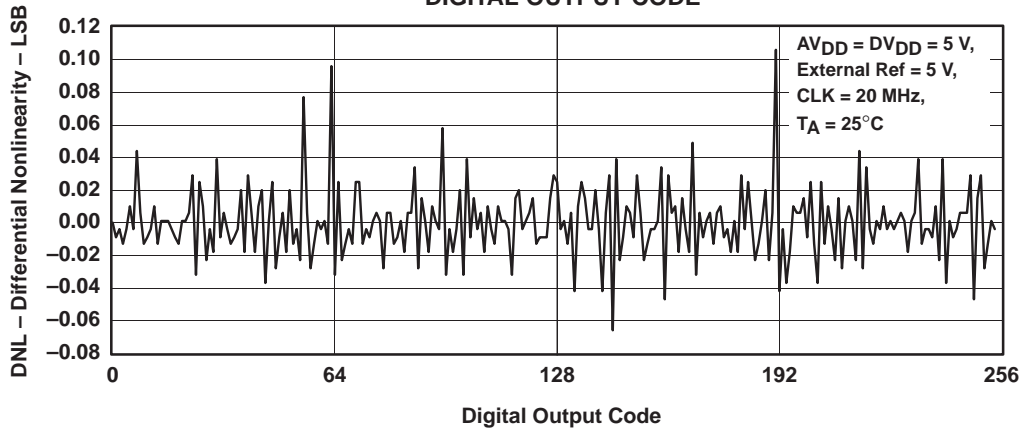


Figure 16

INTEGRAL NONLINEARITY
vs
DIGITAL OUTPUT CODE

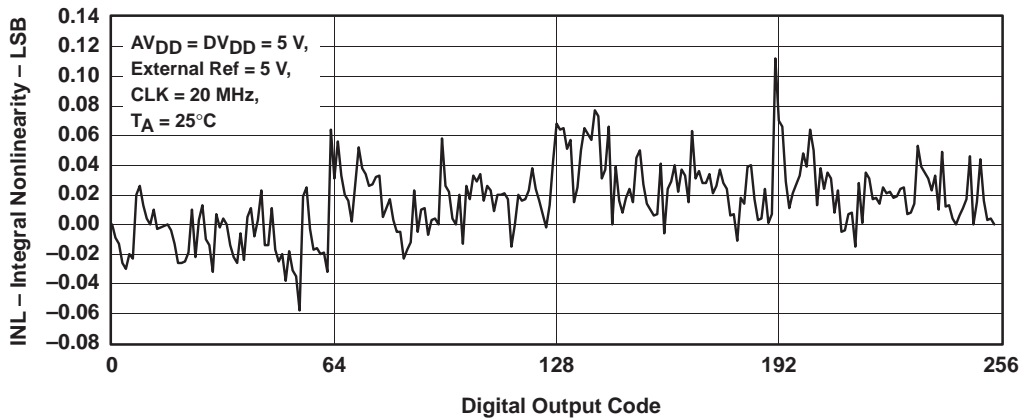


Figure 17

TYPICAL CHARACTERISTICS

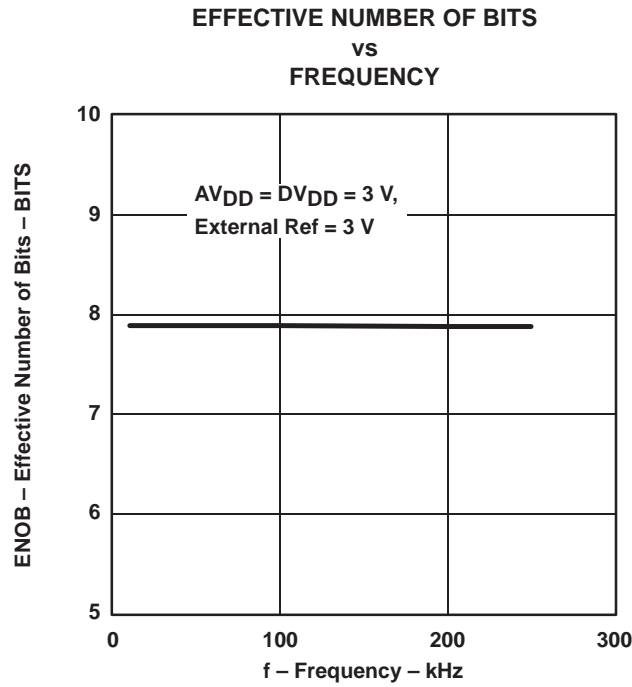


Figure 18

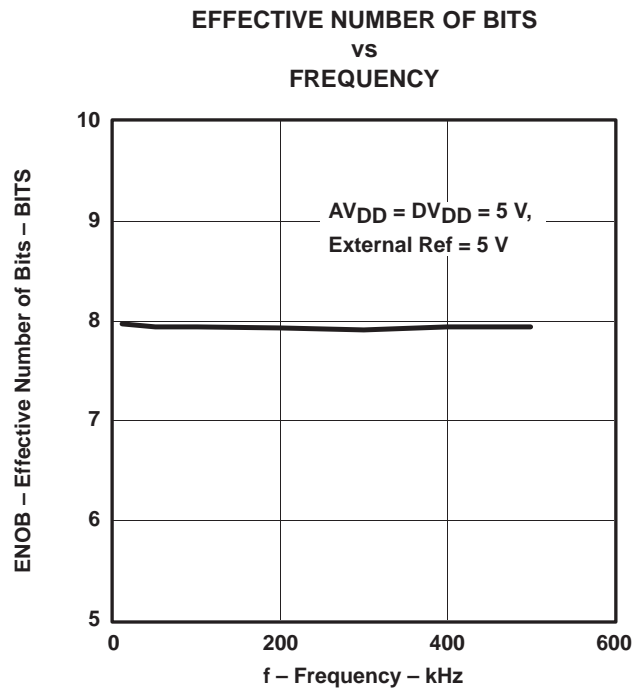


Figure 19

TLV571
2.7 V TO 5.5 V, 1-CHANNEL, 8-BIT,
PARALLEL ANALOG-TO-DIGITAL CONVERTER

SLAS239A – SEPTEMBER 1999 – REVISED FEBRUARY 2000

TYPICAL CHARACTERISTICS

**FAST FOURIER TRANSFORM
vs
FREQUENCY**

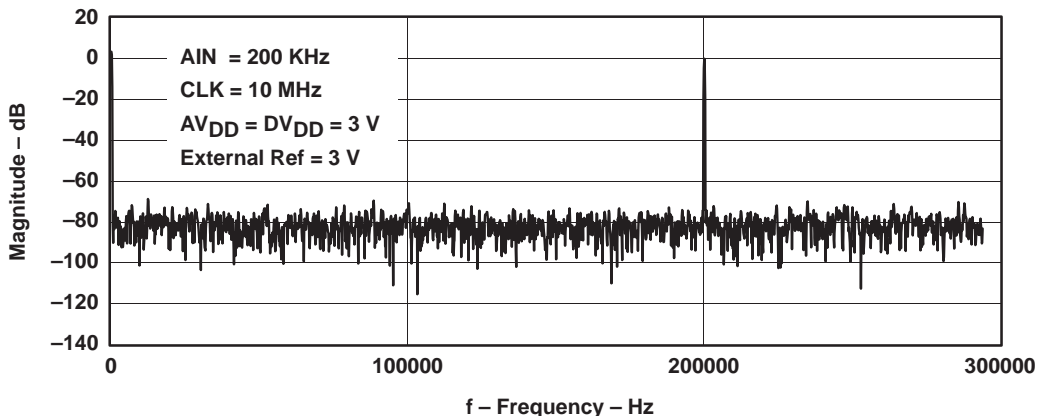


Figure 20

**FAST FOURIER TRANSFORM
vs
FREQUENCY**

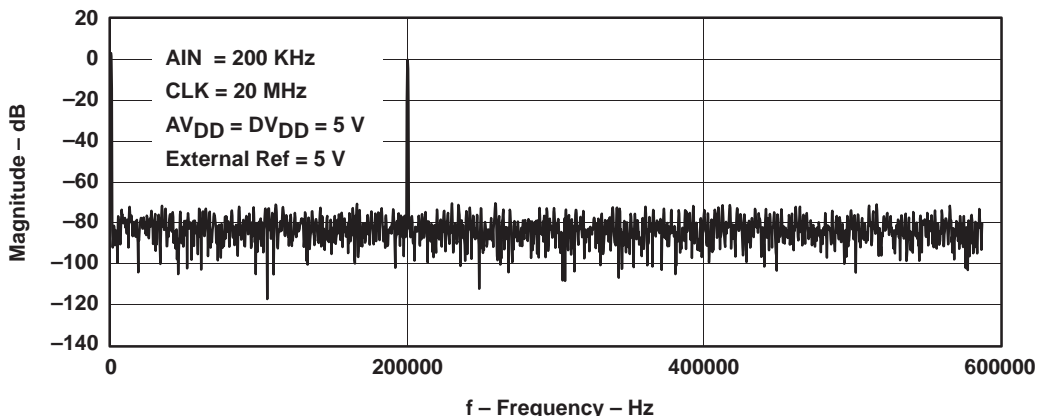


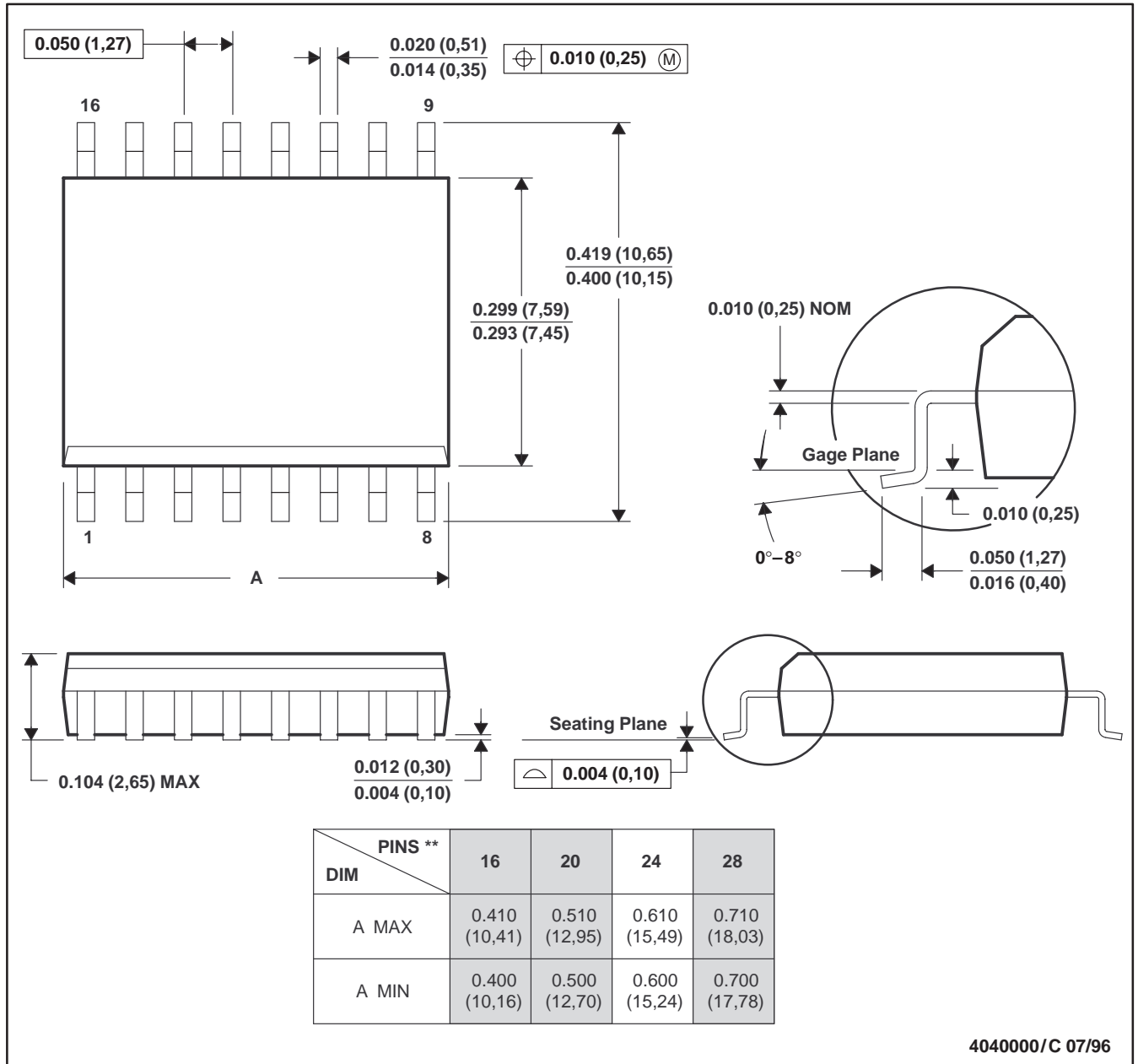
Figure 21

MECHANICAL DATA

DW (R-PDSO-G)**

PLASTIC SMALL-OUTLINE PACKAGE

16 PINS SHOWN



- NOTES: A. All linear dimensions are in inches (millimeters).
 B. This drawing is subject to change without notice.
 C. Body dimensions do not include mold flash or protrusion not to exceed 0.006 (0,15).
 D. Falls within JEDEC MS-013

TLV571
2.7 V TO 5.5 V, 1-CHANNEL, 8-BIT,
PARALLEL ANALOG-TO-DIGITAL CONVERTER

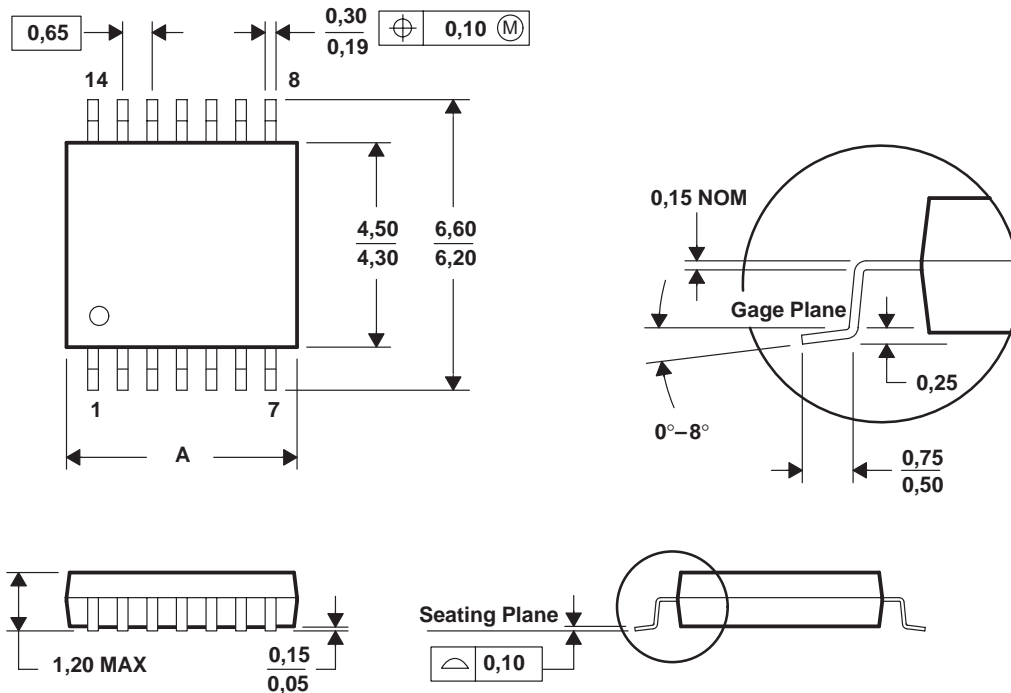
SLAS239A – SEPTEMBER 1999 – REVISED FEBRUARY 2000

MECHANICAL DATA

PW (R-PDSO-G)**

PLASTIC SMALL-OUTLINE PACKAGE

14 PINS SHOWN



| DIM \ PINS ** | 8 | 14 | 16 | 20 | 24 | 28 |
|---------------|-------|------|------|------|------|------|
| | A MAX | 3,10 | 5,10 | 5,10 | 6,60 | 7,90 |
| A MIN | 2,90 | 4,90 | 4,90 | 6,40 | 7,70 | 9,60 |

4040064/F 01/97

- NOTES: A. All linear dimensions are in millimeters.
 B. This drawing is subject to change without notice.
 C. Body dimensions do not include mold flash or protrusion not to exceed 0,15.
 D. Falls within JEDEC MO-153

PACKAGING INFORMATION

| Orderable Device | Status ⁽¹⁾ | Package Type | Package Drawing | Pins | Package Qty | Eco Plan ⁽²⁾ | Lead/Ball Finish | MSL Peak Temp ⁽³⁾ |
|------------------|-----------------------|--------------|-----------------|------|-------------|-------------------------|------------------|------------------------------|
| TLV5711DW | ACTIVE | SOIC | DW | 24 | 25 | Green (RoHS & no Sb/Br) | CU NIPDAU | Level-1-260C-UNLIM |
| TLV5711DWG4 | ACTIVE | SOIC | DW | 24 | 25 | Green (RoHS & no Sb/Br) | CU NIPDAU | Level-1-260C-UNLIM |
| TLV5711PW | ACTIVE | TSSOP | PW | 24 | 60 | Green (RoHS & no Sb/Br) | CU NIPDAU | Level-2-260C-1 YEAR |
| TLV5711PWG4 | ACTIVE | TSSOP | PW | 24 | 60 | Green (RoHS & no Sb/Br) | CU NIPDAU | Level-2-260C-1 YEAR |

⁽¹⁾ The marketing status values are defined as follows:

ACTIVE: Product device recommended for new designs.

LIFEBUY: TI has announced that the device will be discontinued, and a lifetime-buy period is in effect.

NRND: Not recommended for new designs. Device is in production to support existing customers, but TI does not recommend using this part in a new design.

PREVIEW: Device has been announced but is not in production. Samples may or may not be available.

OBSOLETE: TI has discontinued the production of the device.

⁽²⁾ Eco Plan - The planned eco-friendly classification: Pb-Free (RoHS), Pb-Free (RoHS Exempt), or Green (RoHS & no Sb/Br) - please check <http://www.ti.com/productcontent> for the latest availability information and additional product content details.

TBD: The Pb-Free/Green conversion plan has not been defined.

Pb-Free (RoHS): TI's terms "Lead-Free" or "Pb-Free" mean semiconductor products that are compatible with the current RoHS requirements for all 6 substances, including the requirement that lead not exceed 0.1% by weight in homogeneous materials. Where designed to be soldered at high temperatures, TI Pb-Free products are suitable for use in specified lead-free processes.

Pb-Free (RoHS Exempt): This component has a RoHS exemption for either 1) lead-based flip-chip solder bumps used between the die and package, or 2) lead-based die adhesive used between the die and leadframe. The component is otherwise considered Pb-Free (RoHS compatible) as defined above.

Green (RoHS & no Sb/Br): TI defines "Green" to mean Pb-Free (RoHS compatible), and free of Bromine (Br) and Antimony (Sb) based flame retardants (Br or Sb do not exceed 0.1% by weight in homogeneous material)

⁽³⁾ MSL, Peak Temp. -- The Moisture Sensitivity Level rating according to the JEDEC industry standard classifications, and peak solder temperature.

Important Information and Disclaimer:The information provided on this page represents TI's knowledge and belief as of the date that it is provided. TI bases its knowledge and belief on information provided by third parties, and makes no representation or warranty as to the accuracy of such information. Efforts are underway to better integrate information from third parties. TI has taken and continues to take reasonable steps to provide representative and accurate information but may not have conducted destructive testing or chemical analysis on incoming materials and chemicals. TI and TI suppliers consider certain information to be proprietary, and thus CAS numbers and other limited information may not be available for release.

In no event shall TI's liability arising out of such information exceed the total purchase price of the TI part(s) at issue in this document sold by TI to Customer on an annual basis.

IMPORTANT NOTICE

Texas Instruments Incorporated and its subsidiaries (TI) reserve the right to make corrections, modifications, enhancements, improvements, and other changes to its products and services at any time and to discontinue any product or service without notice. Customers should obtain the latest relevant information before placing orders and should verify that such information is current and complete. All products are sold subject to TI's terms and conditions of sale supplied at the time of order acknowledgment.

TI warrants performance of its hardware products to the specifications applicable at the time of sale in accordance with TI's standard warranty. Testing and other quality control techniques are used to the extent TI deems necessary to support this warranty. Except where mandated by government requirements, testing of all parameters of each product is not necessarily performed.

TI assumes no liability for applications assistance or customer product design. Customers are responsible for their products and applications using TI components. To minimize the risks associated with customer products and applications, customers should provide adequate design and operating safeguards.

TI does not warrant or represent that any license, either express or implied, is granted under any TI patent right, copyright, mask work right, or other TI intellectual property right relating to any combination, machine, or process in which TI products or services are used. Information published by TI regarding third-party products or services does not constitute a license from TI to use such products or services or a warranty or endorsement thereof. Use of such information may require a license from a third party under the patents or other intellectual property of the third party, or a license from TI under the patents or other intellectual property of TI.

Reproduction of TI information in TI data books or data sheets is permissible only if reproduction is without alteration and is accompanied by all associated warranties, conditions, limitations, and notices. Reproduction of this information with alteration is an unfair and deceptive business practice. TI is not responsible or liable for such altered documentation. Information of third parties may be subject to additional restrictions.

Resale of TI products or services with statements different from or beyond the parameters stated by TI for that product or service voids all express and any implied warranties for the associated TI product or service and is an unfair and deceptive business practice. TI is not responsible or liable for any such statements.

TI products are not authorized for use in safety-critical applications (such as life support) where a failure of the TI product would reasonably be expected to cause severe personal injury or death, unless officers of the parties have executed an agreement specifically governing such use. Buyers represent that they have all necessary expertise in the safety and regulatory ramifications of their applications, and acknowledge and agree that they are solely responsible for all legal, regulatory and safety-related requirements concerning their products and any use of TI products in such safety-critical applications, notwithstanding any applications-related information or support that may be provided by TI. Further, Buyers must fully indemnify TI and its representatives against any damages arising out of the use of TI products in such safety-critical applications.

TI products are neither designed nor intended for use in military/aerospace applications or environments unless the TI products are specifically designated by TI as military-grade or "enhanced plastic." Only products designated by TI as military-grade meet military specifications. Buyers acknowledge and agree that any such use of TI products which TI has not designated as military-grade is solely at the Buyer's risk, and that they are solely responsible for compliance with all legal and regulatory requirements in connection with such use.

TI products are neither designed nor intended for use in automotive applications or environments unless the specific TI products are designated by TI as compliant with ISO/TS 16949 requirements. Buyers acknowledge and agree that, if they use any non-designated products in automotive applications, TI will not be responsible for any failure to meet such requirements.

Following are URLs where you can obtain information on other Texas Instruments products and application solutions:

Products

| | |
|-----------------------------|--|
| Amplifiers | amplifier.ti.com |
| Data Converters | dataconverter.ti.com |
| DSP | dsp.ti.com |
| Clocks and Timers | www.ti.com/clocks |
| Interface | interface.ti.com |
| Logic | logic.ti.com |
| Power Mgmt | power.ti.com |
| Microcontrollers | microcontroller.ti.com |
| RFID | www.ti-rfid.com |
| RF/IF and ZigBee® Solutions | www.ti.com/lprf |

Applications

| | |
|--------------------|--|
| Audio | www.ti.com/audio |
| Automotive | www.ti.com/automotive |
| Broadband | www.ti.com/broadband |
| Digital Control | www.ti.com/digitalcontrol |
| Medical | www.ti.com/medical |
| Military | www.ti.com/military |
| Optical Networking | www.ti.com/opticalnetwork |
| Security | www.ti.com/security |
| Telephony | www.ti.com/telephony |
| Video & Imaging | www.ti.com/video |
| Wireless | www.ti.com/wireless |

Mailing Address: Texas Instruments, Post Office Box 655303, Dallas, Texas 75265
Copyright © 2008, Texas Instruments Incorporated